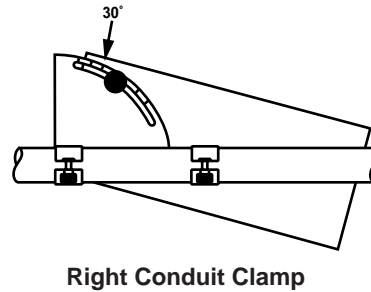
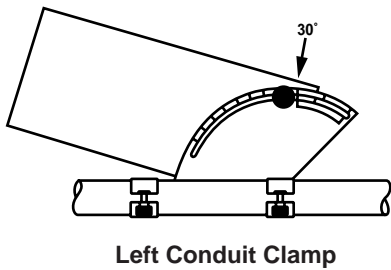
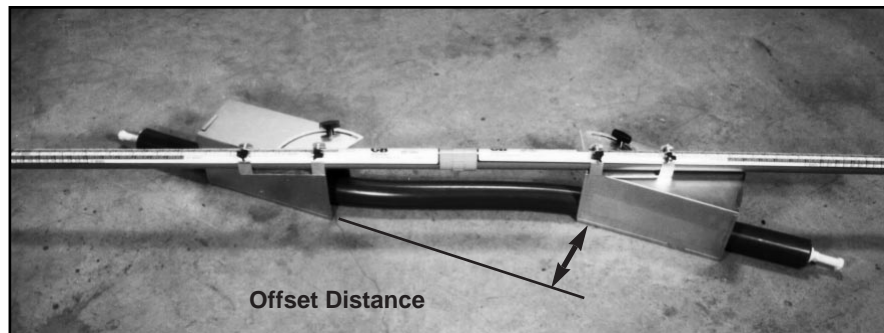


Setting the Bend-Guide® for Offsets

1. Set and lock left conduit clamp protractor on the 30°, 45° or 90° "Offsets only" scale.
2. Set and lock right conduit protractor on the same degree of bend so that the conduit clamps are parallel.



3. The desired distance of offset can now be obtained by adjusting the distance between the conduit clamps. *The scale on the spreader tube does not apply when forming offsets.*



4. To form the offset, repeat the four steps of **Forming the Bend**.

REPAIR AND SERVICE INSTRUCTIONS: For repair service and parts contact your nearest GB ELECTRICAL Service Center. The GB ELECTRICAL Service Center will provide complete and prompt service on all GB ELECTRICAL products.

PARTS AND SERVICE: For quality workmanship and genuine GB ELECTRICAL parts, select an Authorized GB Service Center for your repair needs. Only repairs performed by an Authorized Service Center displaying the official GB Authorized sign are backed with full factory warranty. Contact GB Electrical (414)352-4160 for the name of the nearest GB Authorized Service Center.

WARRANTY: GB ELECTRICAL, INC. warrants its product against defects in workmanship and materials for 1 year from date of delivery to user. Chain is not warranted. Warranty does not cover ordinary wear and tear, abuse, misuse, overloading, altered products or use of improper fluid.

WARRANTY RETURN PROCEDURE: When question of warranty claim arises, send the unit to the nearest GB Authorized Service Center for inspection, transportation prepaid. Furnish evidence of purchase date. If the claim comes under the terms of our warranty the Authorized Service Center will REPAIR OR REPLACE PARTS AFFECTED and return the unit prepaid.

GB
Gardner
Bender

a unit of **apw** Tools and Supplies

6101 N. Baker Road • Milwaukee, WI 53209 • 414-352-4160 • Fax 414-352-2377



Instruction Sheet

**HotBox® BG-560
Bend-Guide® Kit
2" - 6" Conduit**

IMPORTANT RECEIVING INSTRUCTIONS: Visually inspect all components for shipping damage. If any shipping damage is found, notify carrier at once. Shipping damage is NOT covered by warranty. The carrier is responsible for all repair or replacement cost resulting from damage in shipment.

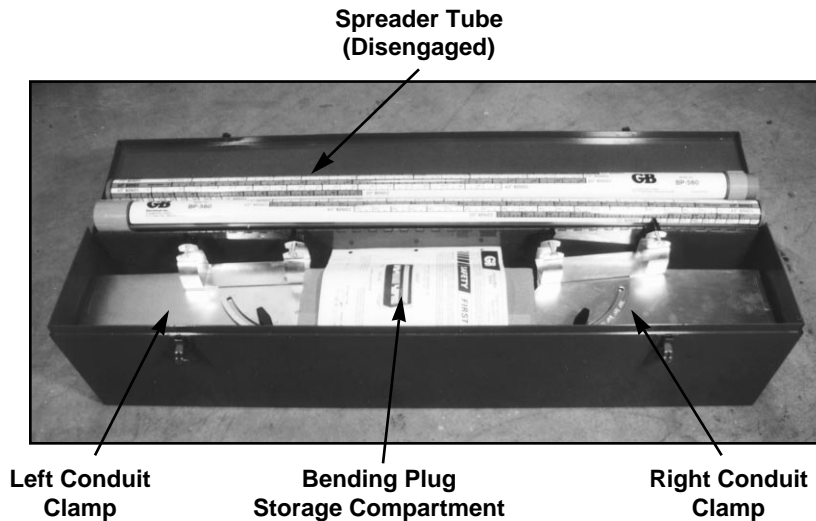
SAFETY FIRST

IMPORTANT – USER SAFETY AND PROTECTION: In setting up systems to fit your operations, care must be taken to select the proper components and design to insure appropriate integration with your operations and existing equipment and that all safety measures have been taken to avoid the risk of personal injury and property damage from your application or system.

GB ELECTRICAL CANNOT BE RESPONSIBLE FOR DAMAGE OR INJURY CAUSED BY UNSAFE USE, MAINTENANCE OR APPLICATION OF ITS PRODUCTS. Please contact GB Electrical for guidance when you are in doubt regarding the proper safety precautions to be taken in designing and setting up your particular application.

HotBox® Model F Bend-Guide® Kit

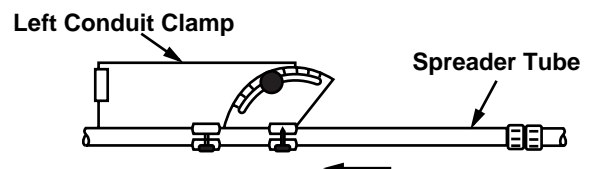
For 2" through 6" dia. conduit



Assembly Instructions

1. Remove two piece "spreader tube" from case and engage threaded fitting. Place spreader tube so that printed label is facing you.

2. Remove left conduit clamp from case and insert left end of spreader tube as shown. Repeat for right conduit clamp.

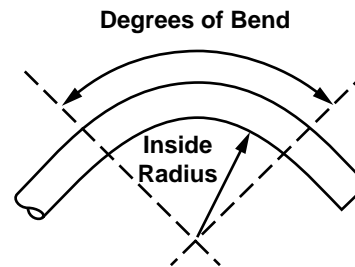


The Bend-Guide® is now ready to preset for any radius and any segment bend.

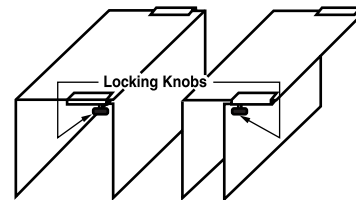


Setting the Bend-Guide® for Bends

1. Determine the inside radius and degrees of bend required. See chart in HotBox® Instruction Manual or Table 346-10, National Electric Code, for Minimum Radius.

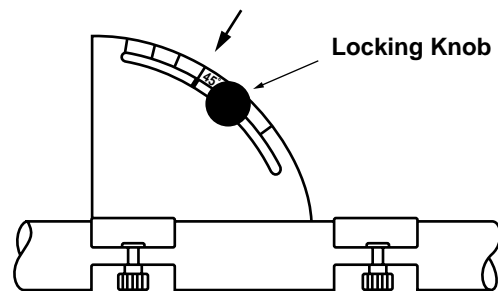


2. Adjust and lock both conduit clamps for conduit size to be formed. A snug fit over conduit is important.



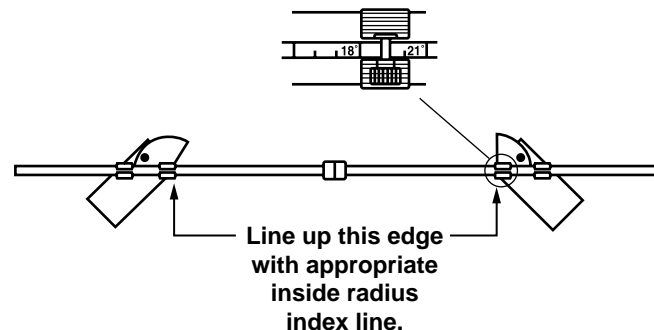
5" and 6" Conduit
2" thru 4" Conduit

3. Set and lock degrees of bend on both left and right conduit clamp protractors.



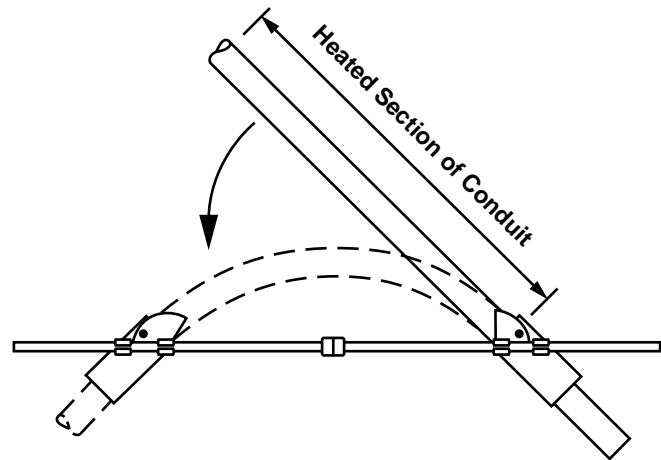
This setting is for a 45° bend.

4. Select the correct "Degree of Bend" scale on spreader tube. Slide left and right conduit clamps to index the desired inside radius. Tighten locking knobs.



Forming the Bend

1. Remove plugged, heated conduit from HotBox® Bender and place on dry flat surface.
2. Pick up Bend-Guide® as you would lift a barbell and lower over conduit so that one conduit clamp slides over the conduit at the point where bend is to begin.



3. Pull the free end of the heated conduit to form a smooth curve. Lift the empty conduit clamp section and place over the conduit.



4. Set bend by sponging with cold water.

