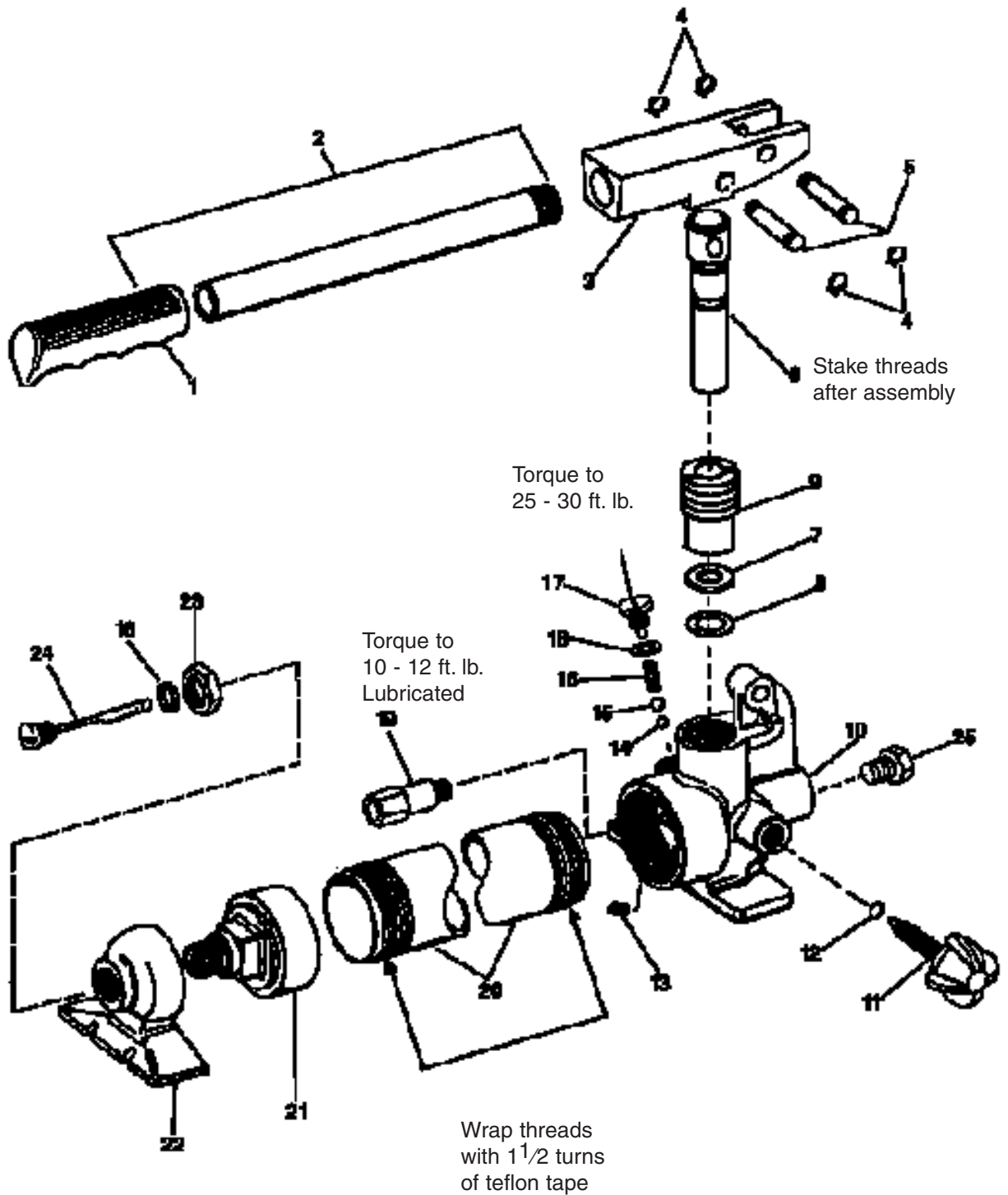


GB.

Repair Parts Sheet

PH39 Pump

For models with date codes beginning with "H".



To protect your warranty, use only GB Hydraulic Oil.

Parts List

PH39 Serial Numbers Beginning with "H"

Item Number	Model No. PH39	Number Required	Description
1	CL343550	1	Grip
2	C7900SR	1	Handle and Grip Assembly
3	B113060-1	1	Beam
4	* CB415044	4	Retaining Ring
5	DC1060615R	2	Beam Pin (incl. 2 of item 4)
6	DA8954900SR	1	Pump Plunger
7	* B1112803	1	O-ring
8	B1112569	1	Back-up Ring
9	* DA6853446SR	1	Sleeve, Piston (incl. item 7 & 8)
10	Not Available (Order New Pump)	1	Base
11	DA8786900SR	1	Valve Assembly, Release
12	* B1001503	1	O-ring
13	* P30718	1	Oil Screen
14	* B1006016	1	Ball
15	* B1009016	1	Ball
16	* S1183	1	Spring
17	K3006SR	1	Valve Plug
18	* B159167	3	Gasket
19	DA8802900SR	2	By-pass Valve
20	P1625	1	Reservoir
21	P76266-1	1	Reservoir Cap
22	P76267-1	1	Pump Rest
23	P75181	1	Nut
24	B110900SR	1	Filler Plug
25	R515245-2	1	Plug

*Included in Repair Kit P39K3.

REPAIR AND SERVICE INSTRUCTIONS: For repair service and parts contact your nearest GB ELECTRICAL Service Center. The Service Center will provide complete and prompt service on all GB ELECTRICAL products.

PARTS AND SERVICE: For quality workmanship and genuine GB ELECTRICAL parts, select an Authorized GB Service Center for your repair needs. Only repairs performed by an Authorized Service Center displaying the official GB Authorized sign are backed with full factory warranty. Contact GB Electrical (414) 352-4160 for the name of the nearest GB Authorized Service Center.

WARRANTY: GB ELECTRICAL, INC. warrants its products against defects in workmanship and materials for 1 year from date of delivery to user. Chain is not warranted. Warranty does not cover ordinary wear and tear, abuse, misuse, overloading, altered products or use of improper fluid.

WARRANTY RETURN PROCEDURE: When question of warranty claim arises, send the unit to the nearest GB Authorized Service Center for inspection, transportation prepaid. Furnish evidence of purchase date. If the claim comes under the terms of our warranty the Authorized Service Center will REPAIR OR REPLACE PARTS AFFECTED and return the unit prepaid.



GB Electrical, Inc.
An Applied Power Company

6101 N. Baker Road, Milwaukee, WI 53209
Phone: (414) 352-4160 FAX (414) 352-2377

RPS-0078 Rev. A 03/07