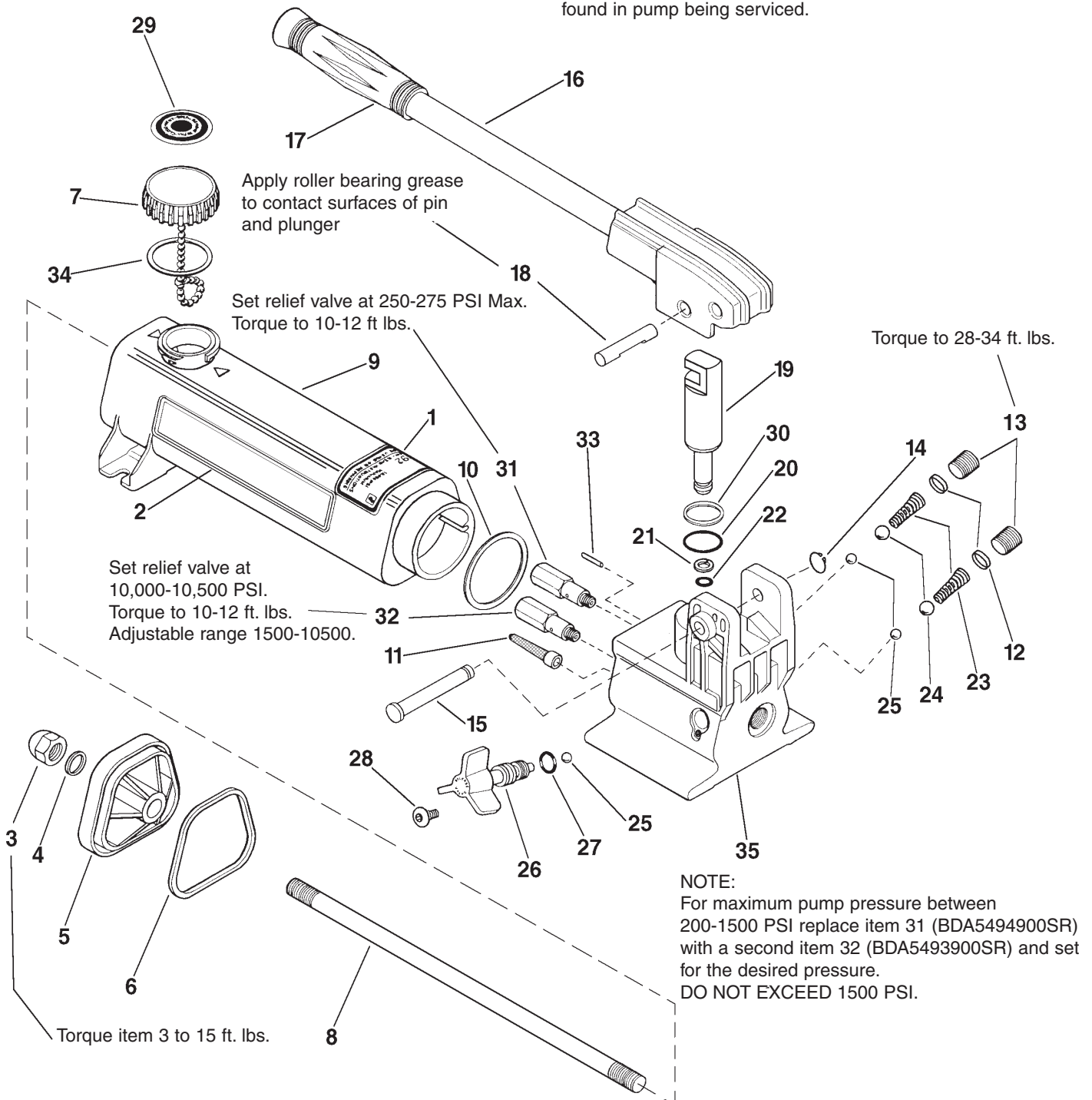


NOTE:

The small spring located between the two check balls, items 24 & 25, is no longer used and should not be reinstated if found in pump being serviced.



To protect your warranty, use only FCI Burndy® Allfluid™.

PARTS LIST / BPH20

Item No.	Model No.	Description	Number Required
1	BDA3885026	Model No. Decal	1
2	BDA3884026	Burndy Decal	2
3	BCL341055	Acorn Nut	1
4	*	Gasket	1
5	BCN402020SR	End Cap	1
6	*	O-ring	1
7	BCN766950SR	Vent Cap Assembly (includes #29 & 34)	1
8	BCL280149	Tie Rod	1
9	BDA38866025	Reservoir	1
10	*	Square Ring Seal	
11	*	Filter	1
12	*	Spring Cap	2
13	BCN815006	Pipe Plug (.250-18 NPTF)	2
14	*	Retaining Ring	1
15	*BCR215061SR	Beam Pin (includes item 14)	1
16	BCL915900SR	Beam and Handle Assembly	1
17	BCL342550	Handle Grip	1
18	BP20857	Cross Pin	1
19	BCN412040	Plunger	1
20	*	O-ring	1
21	*	Back-up Washer	1
22	*	O-ring	1
23	*	Spring	2
24	*	5/16" Ball	2
25	*	7/32" Ball	3
26	BCL913900SR	Spindle Assembly	1
27	*	O-ring	1
28	*	Truss Head Machining Screw	1
29	*	Fill Decal	1
30	*	Back-up Washer	1
31	BDA5493900SR	By-pass Valve (250-275 PSI)	1
32	BDA8802900SR	Relief Valve (10,000-10,500 PSI)	1
33	*	Spring Pin	1
34	*	Vent Cap Gasket	1
35	Not Sold Separately	Pump Base - Order Complete Pump	1

* Indicates items included in, and available only as part of, repair kit BP141K2. For viton seals order repair kit B142KV1 in place of standard kit BP141K2.
(Kit contains 2 sets of seals; be sure to replace with seal identical to the one removed from the pump.)

REPAIR AND SERVICE INSTRUCTIONS: For repair service and parts contact your nearest FCI Service Center. The FCI Service Center will provide complete and prompt service on all FCI products.

PARTS AND SERVICE: For quality workmanship and genuine FCI parts, select an Authorized FCI Service Center for your repair needs. Only repairs performed by an Authorized Service Center displaying the official FCI Authorized sign are backed with full factory warranty. Contact FCI (800)426-8720 for the name of the nearest FCI Authorized Service Center.

WARRANTY: FCI warrants its product against defects in workmanship and materials for 1 year from date of delivery to user. Chain is not warranted. Warranty does not cover ordinary wear and tear, abuse, misuse, overloading, altered products or use of improper fluid.

WARRANTY RETURN PROCEDURE: When question of warranty claim arises the user should send the unit to the nearest FCI Authorized Service Center for inspection, transportation to be prepaid and evidence of purchase date furnished. If the claim comes under the terms of our warranty the Authorized Service Center will REPAIR OR REPLACE PARTS AFFECTED and return prepaid.



FCI - BURNDY® PRODUCTS LITTLETON, NH 03561 TELEPHONE (800)426-8720