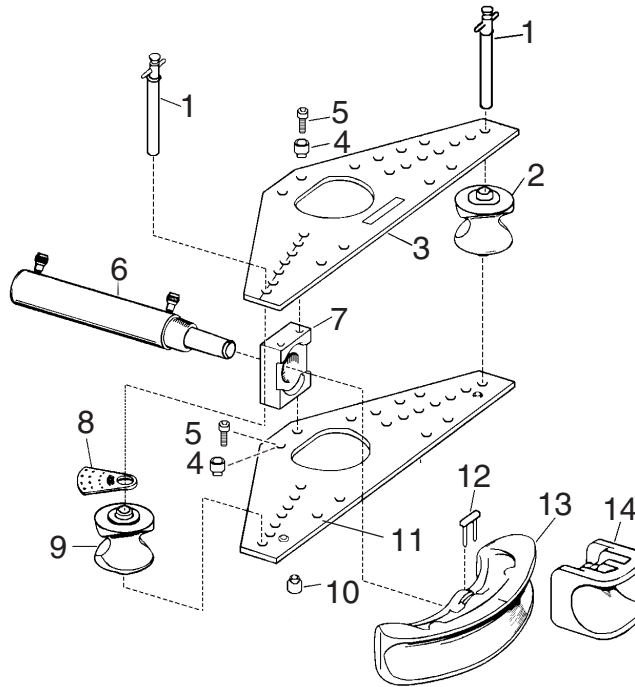


RPS-0105 Rev. A 06.07

**IMPORTANT: RECEIVING INSTRUCTIONS:** Visually inspect all components for shipping damage. If any shipping damage is found, notify carrier at once. Shipping damage is NOT covered by warranty. The carrier is responsible for all repair or replacement costs resulting from damage in shipment.

**WARRANTY INFORMATION:** To protect your warranty, use only Gardner Bender hydraulic oil.

GB recommends that all kit components be installed to insure optimum performance of the repaired product.



### Repair Parts List

Item	Description	Qty.	Part # B-316	Part # B-306 B-308	Part # B-340 B-343	Part # B-351 B-359
1	Pivot Pin	2	BZ12375	BZ12376	BZ12376	BZ12390
2	Pivot Shoe	1	BZ12071	BZ13401	BZ13401	BZ12388
3	Frame Plate (Top)	1	C890.101	C905.101	C907.101	C907.101
4	Plate Rest	4	C884267	C834.267	C834.267	G564.267
5	Cap Screw	4	B2130.028	B1410028	B1410028	G565.488
★ 6	Cylinder	1	See Chart A	See Chart A	See Chart A	See Chart A
7	Support Block	1	C947.125	C830.125	C830.125	F821.125-1
8	Optic Angle Gauge	1	BZ12091	BZ12091	BZ12091	BZ12091
9	Pivot Shoe	1	BZ13401	BZ13401	BZ13401	BZ12388
10	Plate Rest	2	C834267	C882.267	C882.267	G564.267
11	Frame Plate (Bottom)	1	C917.101	C918.101	C915.101	C915101
12	Lock Pin	1	BZ12377	BZ12377	BZ12377	BZ12377
★ 13	One-Shot Shoe		See Chart A	See Chart A	See Chart A	See Chart A
★ 14	Sweep Shoe, Complete Frame Assembly, (Items 3, 4, 5, 8, 11, 12, 13)		See Chart A BZ12371-1	See Chart A BZ12372	See Chart A BZ12374	See Chart A BZ12389

★ **Warning:** When using GB One-Shot/Sweep Bender Sets, make sure the pivot pins are placed in the correct holes. Failure to use the correct pivot pin positions can result in severe damage to, or breakage of, bending shoes and other bender parts. Refer to the GB Gardner Bender catalog for additional information regarding cylinders and shoes included in above sets.

**Chart A for Bender Shoes and Cylinders**

Part #	One-Shot Shoes	Sweep Shoes	Cylinder	Part #	One-Shot Shoes	Sweep Shoes	Cylinder
<b>B306</b>	N/A	BZ-12379 (1¼")	CS-2510	<b>B340</b>	BZ-12041 (1¼")	N/A	CS-2514
		BZ-12380 (1½")			BZ-12051 (1½")		
		BZ-12381 (2")			BZ-12061 (2")		
		BZ-12382 (2½")			BZ-12341 (2½")		
		BZ-12383 (3")			BZ-12351 (3")		
		BZ-12384 (3½")			BZ-12391 (3½")		
		BZ-12385 (4")			BZ-12392 (4")		
<b>B308</b>	BZ-12031 (1")	BZ-12382 (2½")	CS-2510	<b>B351</b>	BZ-12041 (1¼")	BZ-12386 (5")	CD-3014
	BZ-12041 (1¼")	BZ-12383 (3")			BZ-12051 (1½")		
	BZ-12051 (1½")	BZ-12384 (3½")			BZ-12061 (2")		
	BZ-12061 (2")	BZ-12385 (4")			BZ-12341 (2½")		
<b>B316</b>	BZ-12011 (½")	N/A	CS-1010		BZ-12351 (3")		
	BZ-12021 (¾")				BZ-12391 (3½")		
	BZ-12031 (1")				BZ-12392 (4")		
	BZ-12041 (1¼")			<b>B359</b>	BZ-12041 (1¼")	BZ-123865 (5")	CS-2514
	BZ-12051 (1½")				BZ-12051 (1½")		
	BZ-12061 (2")				BZ-12061 (2")		
<b>B343</b>	BZ-12041 (1¼")	N/A			BZ-12341 (2½")		
	BZ-12051 (1½")				BZ-12351 (3")		
	BZ-12061 (2")		CD-3014		BZ-12391 (3½")		
	BZ-12341 (2½")				BZ-12392 (4")		
	BZ-12351 (3")						
	BZ-12391 (3½")						
	BZ-12392 (4")						

**REPAIR AND SERVICE INSTRUCTIONS:** For repair service and parts contact your nearest GB Gardner Bender Service Center. The GB Gardner Bender Service Center will provide complete and prompt service on all GB Gardner Bender products.

<p><b>PARTS AND SERVICE:</b> For quality workmanship and genuine GB Gardner Bender parts, select an Authorized GB Service Center for your repair needs. Only repairs performed by an Authorized Service Center displaying the official GB Authorized sign are backed with full factory warranty. Contact GB Gardner Bender 1-800-624-4320 for the name of the nearest GB Authorized Service Center.</p>	<p><b>WARRANTY:</b> GB Gardner Bender warrants its product against defects in workmanship and materials for 1 year from date of delivery to user. Warranty does not cover ordinary wear and tear, abuse, misuse, overloading, altered products or use of improper fluid.</p>	<p><b>WARRANTY RETURN PROCEDURE:</b> When question of warranty claim arises the user should send the unit to the nearest GB Authorized Service Center for inspection, transportation to be prepaid and evidence of purchase date furnished. If the claim comes under the terms of our warranty the Authorized Service Center will REPAIR OR REPLACE PARTS AFFECTED and return prepaid.</p>
---	--	--

