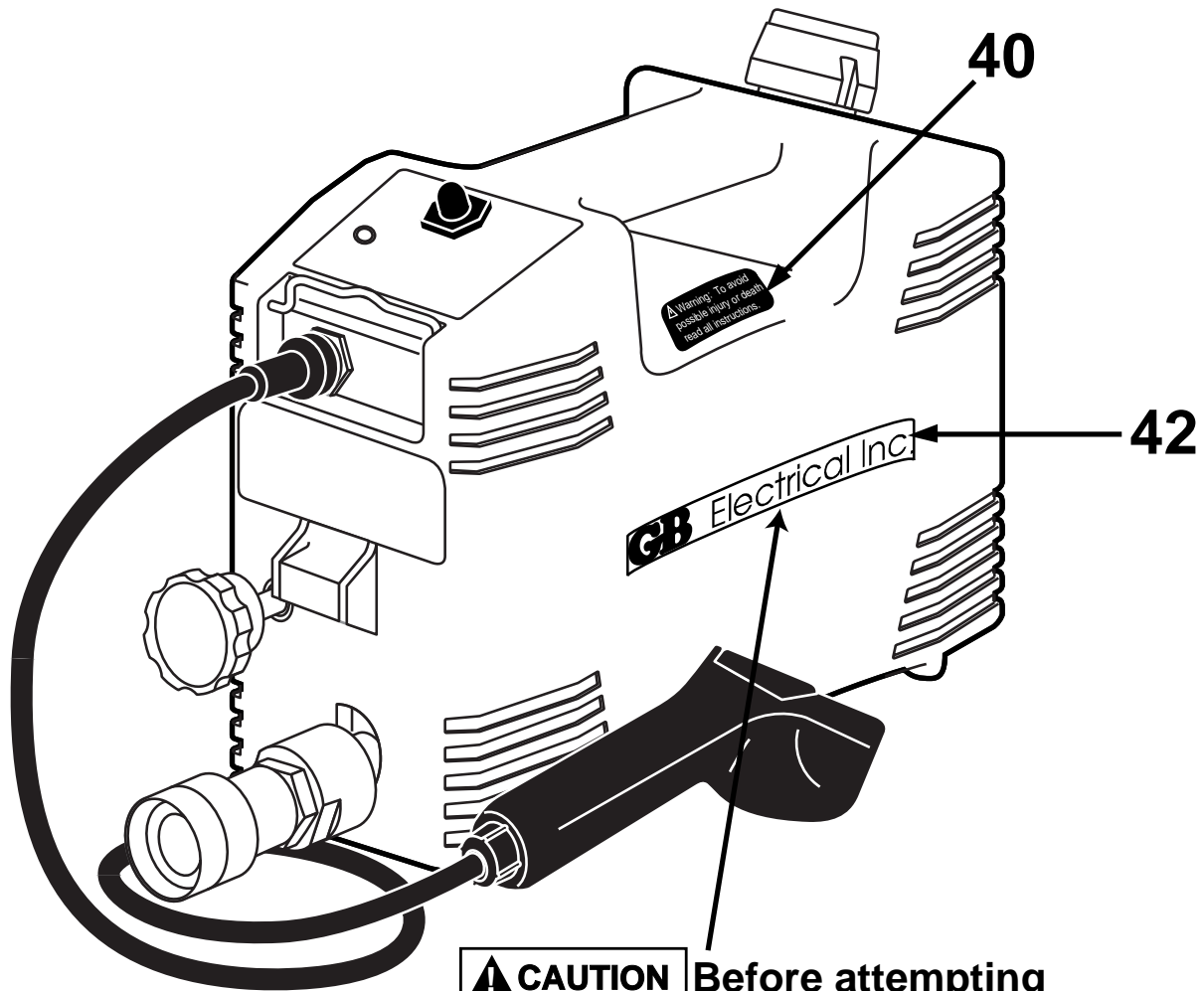


Date code starting with "O"



**⚠ CAUTION** Before attempting to separate the case halves, remove all 8 outer case screws, including the screw and nut behind the GB decal.

**Figure 1: Battery-powered Pump**

**Contents**

Pump Side View.....	2	Manual Valve Assembly.....	6
Case Assembly.....	4	Pendant Assembly.....	7
Pump Assembly.....	5	Electric Schematic.....	8

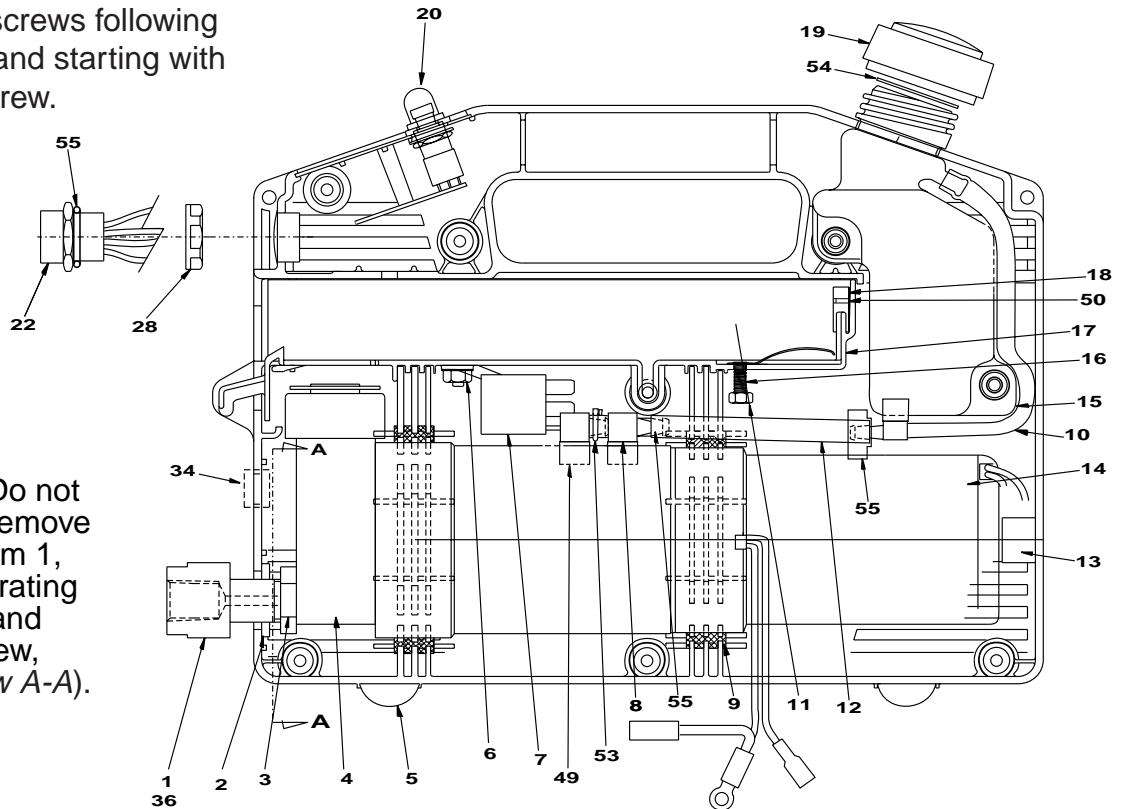
## Figure 2: Side View

**NOTE:** Make sure wires are not pinched during reassembly.

During reassembly, install reservoir screws first to ensure that case halves align properly.

Install perimeter screws following reservoir screws and starting with the front upper screw.

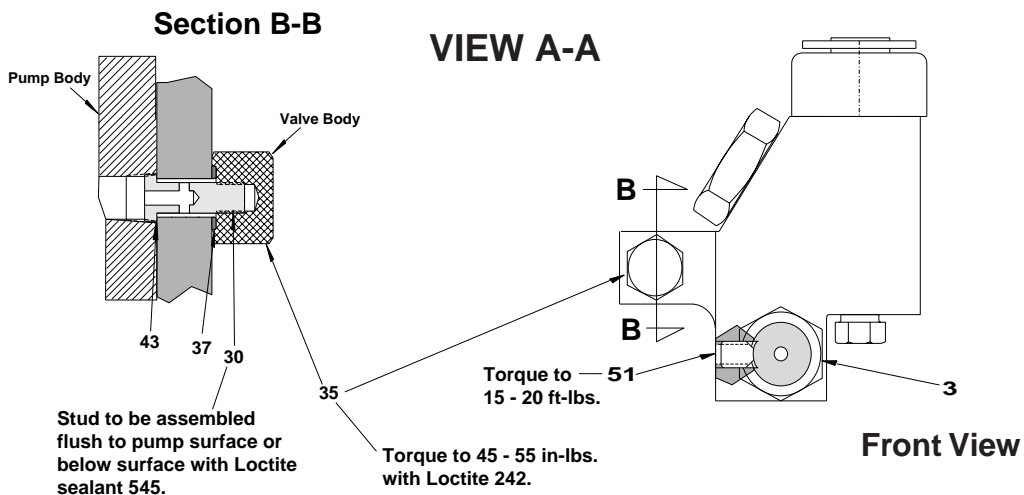
**CAUTION** Do not remove coupler fitting, item 1, without first separating the case halves and removing set screw, item 51 (see View A-A).



Item 1: Torque to 10-12 ft-lbs. with Loctite pipe sealant 545.  
 Item 3: Torque to 15-19 in-lbs. with Loctite 290.  
 Crown of nut (item 3) must face grommet (item 2)  
 Item 5: Attach bumpers using Loctite gel 545.

**NOTE:** Hold coupler fitting, item 1, using a wrench on the flats when installing or removing the hose or coupler. Torque hose or coupler to 30-32 ft-lbs. Seal threads with Loctite 545.

**CAUTION**  
 Do not disassemble the valve assembly.

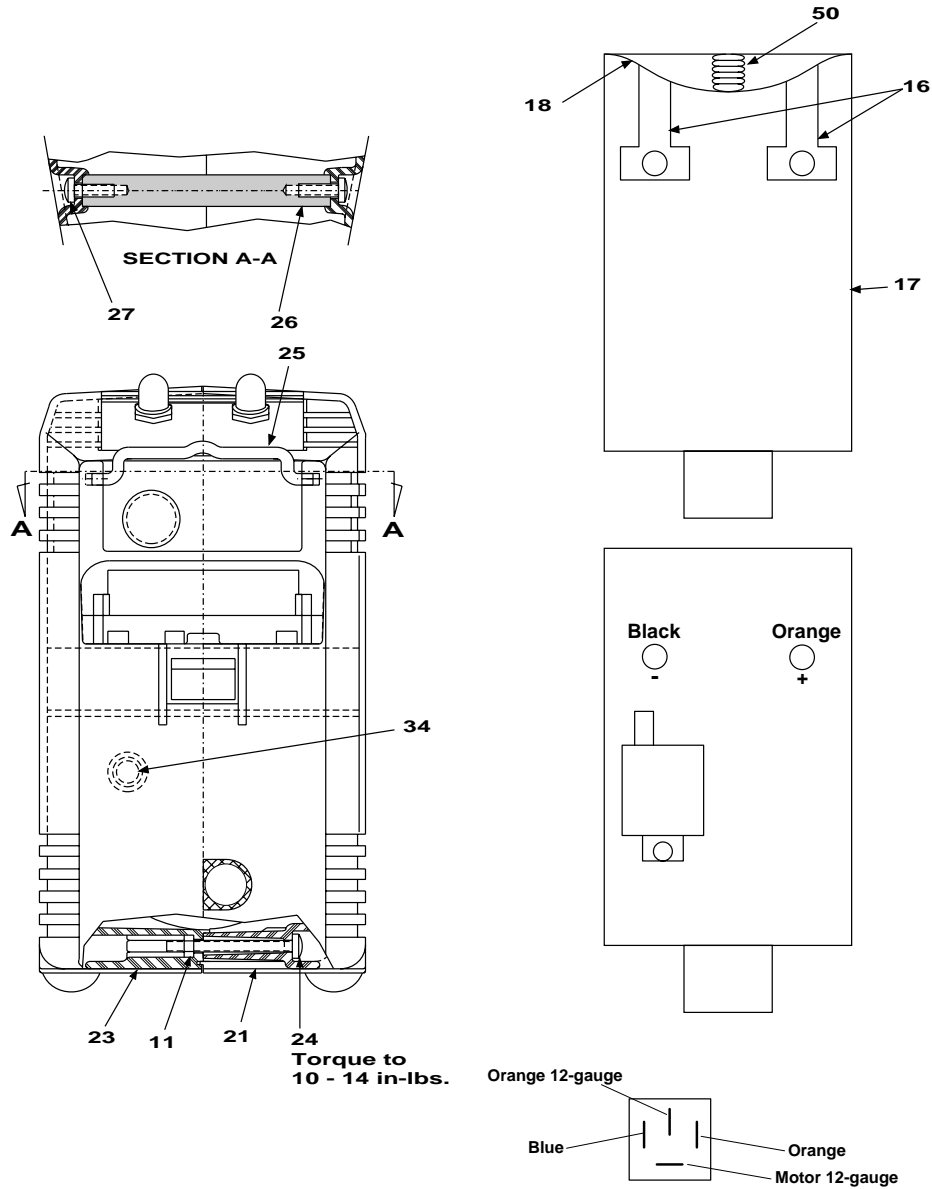


### Repair Parts List for Figure 2

Item	Part Number	Qty.	Description
1	DA9669096	1	Coupler Fitting
2	DA10026808	1	Grommet
3	DA9689122	1	Jam Nut
4	DA10214900	1	Manual Valve (See Figure 4)
5	DA4427339	4	Bumper
6	DA9673021	1	Self Threading Nut
7	DA9469270	1	Relay
8	DA11190095	1	Fitting (.375 ID Tube)
9	DA9334808	4	Isolator
10	DA11250268	1	Vent Tubing (.250 ID)
11	CBE1050120-1D	3	Hex Nut
12	DA11561268	1	Fill Tubing (.375 ID)
13	DA9714039	1	Bushing
14	DA10221221SR	1	Pump Assembly (See Figure 3) <i>Includes motor</i>
15	DA11652900SR	1	Auxiliary Reservoir ( <i>incl. items 10, 12, 42</i> )
16	DA9850900SR	1	Contact Assembly ( <i>incl. item 11</i> )
17	DA9544401SR	1	Battery Receptacle ( <i>incl. items 6, 11, 16, 18, 50</i> )
18	DA9775110	1	Ejection Spring
19	DA10183900SR	1	Vent Fill Cap Assembly ( <i>incl. item 54</i> )
20	DA10206900	1	Control Board and Switch Assembly
22	DA9615052	1	Electrical Receptacle
28	DA9613021	1	Nylon Locknut
30	DA11283305	1	Stud
35	DA11282122	1	Cap Nut
36	★ B1013803	1	O-ring
37	★ B1012803	1	O-ring
40	★ CH272026	1	Warning Decal
42	★ U952040026	2	GB Electrical Decal
43	★ DA11293037	1	Gasket
49	DA11240095	1	Elbow (.250 ID Tube)
50	DA10802110	1	Spring
51	CCA1017028-5C	1	Set Screw
53	DA11281299	1	Clamp (Vent Tube)
54	★ DA10299037	1	Gasket
55	B1013503	1	O-ring

★ Included in Repair Kit WPPK.

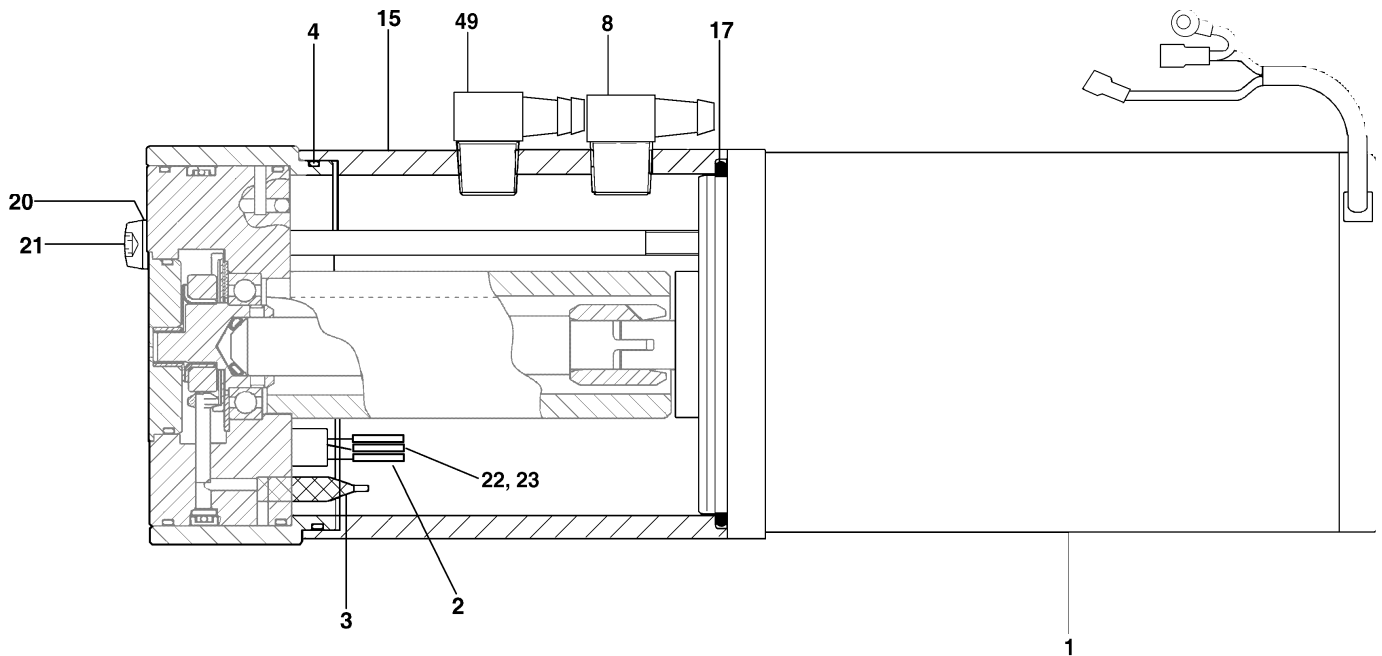
**Figure 3: Case Assembly and Battery Box**



**Repair Parts List for Figure 3**

Item	Part Number	Qty.	Description
11	CBE1050120-1D	7	Hex Nut, M5
21	DA10085530SR	1	Right Case Half, Red
23	DA10284530R	1	Left Case Half, Red
24	CAE519028-3A	7	Screw, M5 x 50 mm
25	DA9644060	2	Hanger
26	DA10435107	1	Support Post
27	CAE507028-3A	2	Screw, M5 x 12 mm
34	DA10219808	1	Grommet

### Figure 4: Pump Assembly

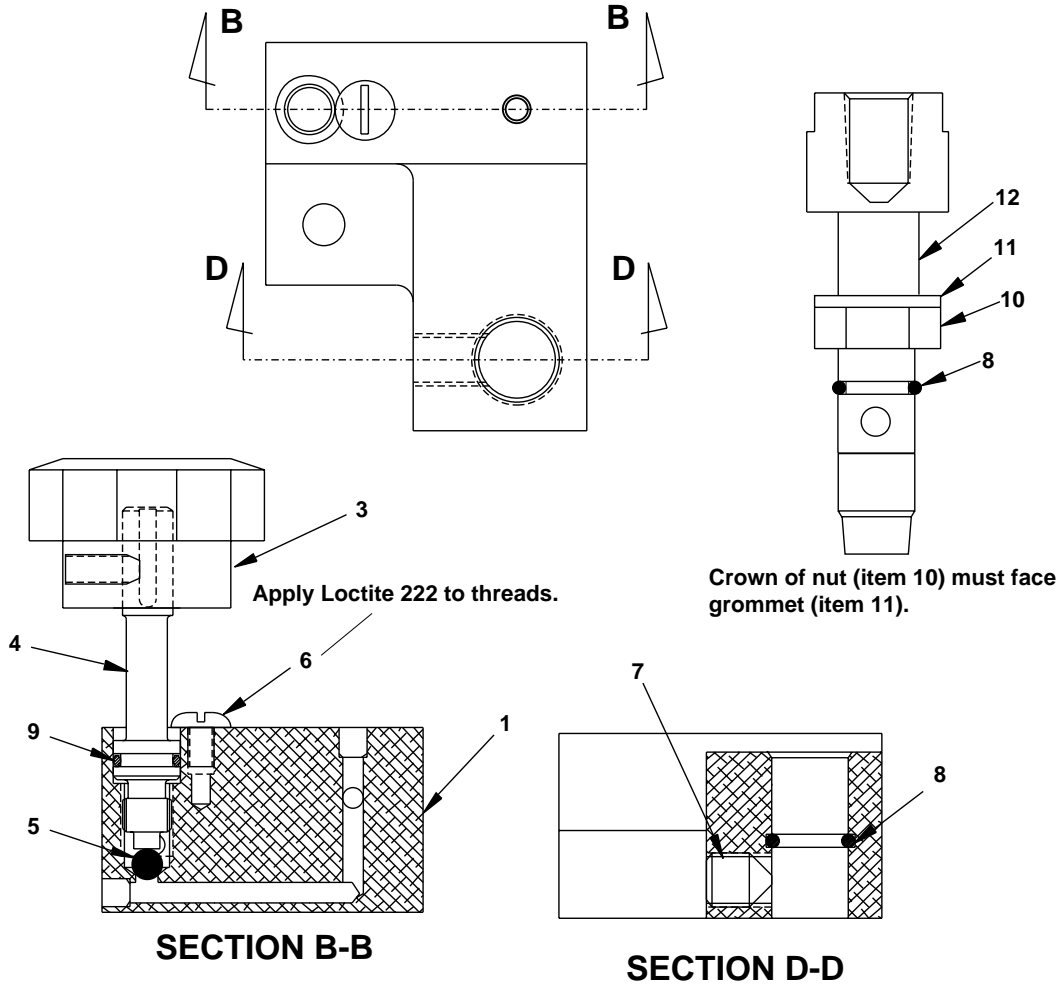


**NOTE:** DO NOT DISASSEMBLE THE PUMP ASSEMBLY. The repair kit does not contain all parts necessary for re-assembly.

Repair Parts List for Figure 4			
Item	Part Number	Qty.	Description
1	DC214259SR	1	Electric Motor
2	DC215071	1	Magnet
3	DC216118	1	Filter
4	★ B1245-503	1	O-ring
15	DC217030	3	Tube
17	★ DC209503	1	O-ring
20	★ DC208037	2	U-sit Ring
21	DSA8063-046	2	Torque Ring
22	DC205900SR	1	Relief Valve
23	★ DC206037	1	Gasket

★ Included in Repair Kit WPPK.

### Figure 5: Manual Valve Assembly



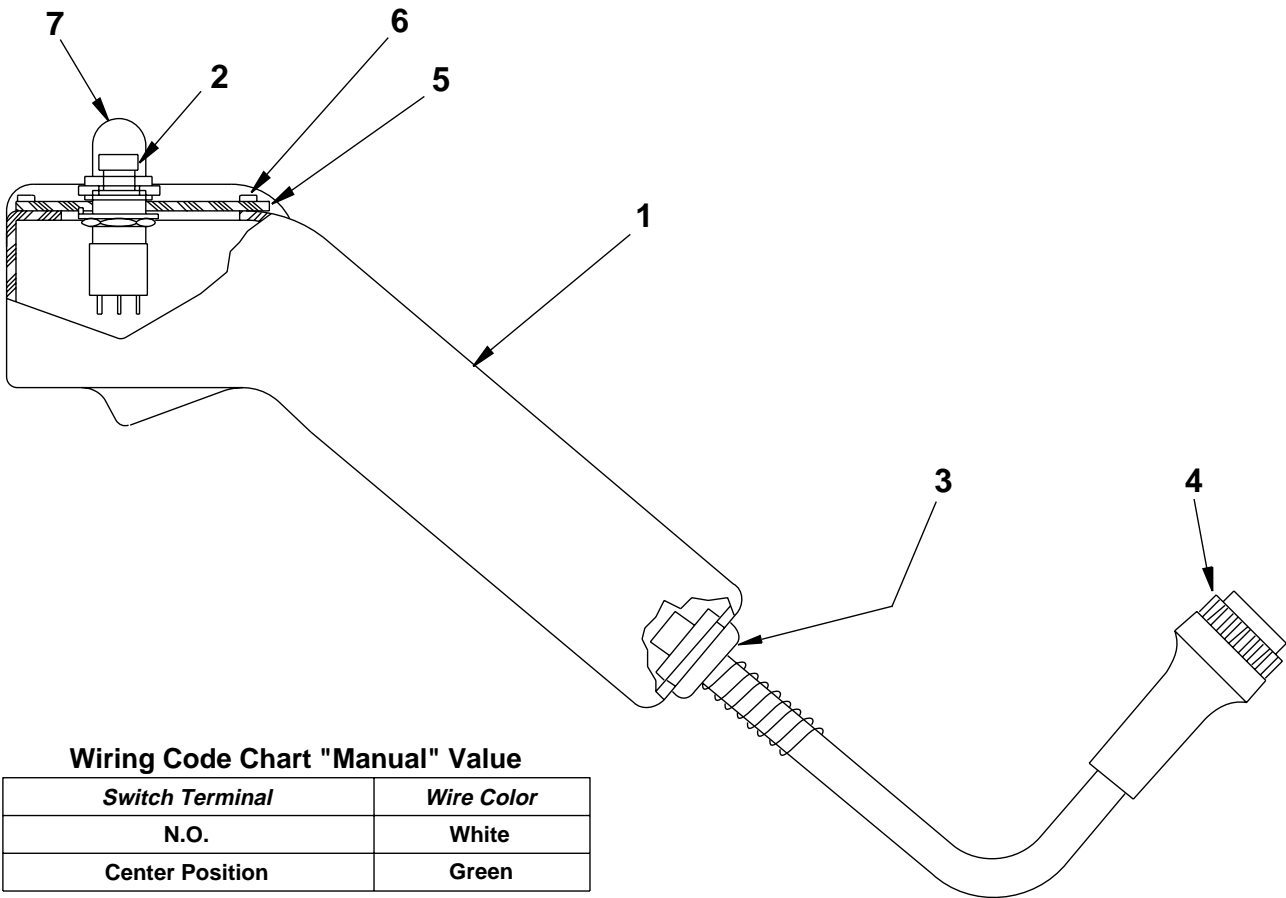
#### Repair Parts List for Figure 5

Item	Part Number	Qty.	Description
1	DA10214900SR	1	Valve Assembly
3	DA10379147	1	Knob
4	DA9651010	1	Spindle
5	★ B1006016	1	7/32" Ball
6	★ DA9652042	1	Screw
7	CCA1017028-5C	1	Set Screw
8	★ B1015803	2	O-ring
9	★ B1007503	1	O-ring
10	DA9689122	1	Jam Nut (Figure 1)
11	DA10026808	1	Grommet (Figure 1)
12	DA9669096	1	Coupler Fitting (Figure 1)

★ Included in Repair Kit DA10214900K.

NOTE: Repair Kit DA10214900K is included in Repair Kit WPPK.

**Figure 6: Pendant Assembly**



**Wiring Code Chart "Manual" Value**

Switch Terminal	Wire Color
N.O.	White
Center Position	Green

**Wiring Code Chart "Pressure"**

Switch Terminal	Wire Color
N.O.	White
Center Position	Green

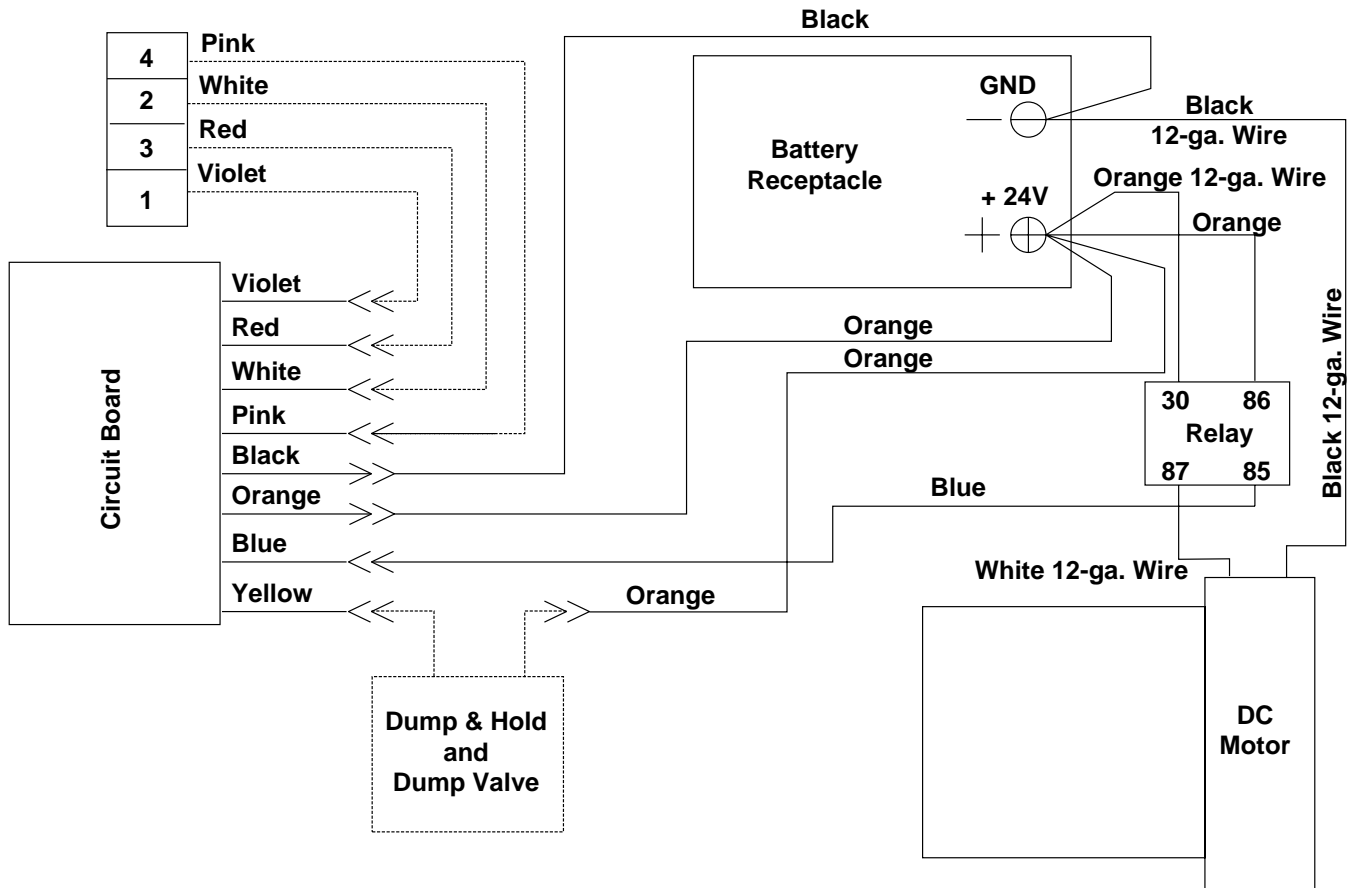
**Wiring Code Chart "Release"**

Switch Terminal	Wire Color
N.O.	Red
Center Position	Green "Jumper"

**Repair Parts List for Figure 6  
2-Position Pendant**

Item	Part Number	Qty.	Description
1	DA1323190	1	Pendant Body
2	DA11061379	1	Push-button
3	DA10333007	1	Strain Relief
4	DA9614052	1	Electric Cord Assembly
5	DA11100101	1	Mounting Plate
6	CU971003	3	Pop Rivet
7	DA11102689	1	Boot Guard

# Figure 7: Electrical Schematic



**REPAIR AND SERVICE INSTRUCTIONS:** For repair service and parts contact your nearest GB ELECTRICAL Service Center. The GB ELECTRICAL Service Center will provide complete and prompt service on all GB ELECTRICAL products.

**PARTS AND SERVICE:** For quality workmanship and genuine GB ELECTRICAL parts, select an Authorized GB Service Center for your repair needs. Only repairs performed by an Authorized Service Center displaying the official GB Authorized sign are backed with full factory warranty. Contact GB Electrical (414)352-4160 for the name of the nearest GB Authorized Service Center.

**WARRANTY:** GB ELECTRICAL, INC. warrants its product against defects in workmanship and materials for 1 year from date of delivery to user. Chain is not warranted. Warranty does not cover ordinary wear and tear, abuse, misuse, overloading, altered products or use of improper fluid.

**WARRANTY RETURN PROCEDURE:** When question of warranty claim arises, send the unit to the nearest GB Authorized Service Center for inspection, transportation prepaid. Furnish evidence of purchase date. If the claim comes under the terms of our warranty the Authorized Service Center will REPAIR OR REPLACE PARTS AFFECTED and return the unit prepaid.



a unit of **apw** Tools and Supplies

GB Electrical, Inc. • 6101 N. Baker Road • Milwaukee, WI 53209 • 414-352-4160 • Fax 414-352-2377