



Repair Parts Sheet

CO₂ Valve Assembly 1225A

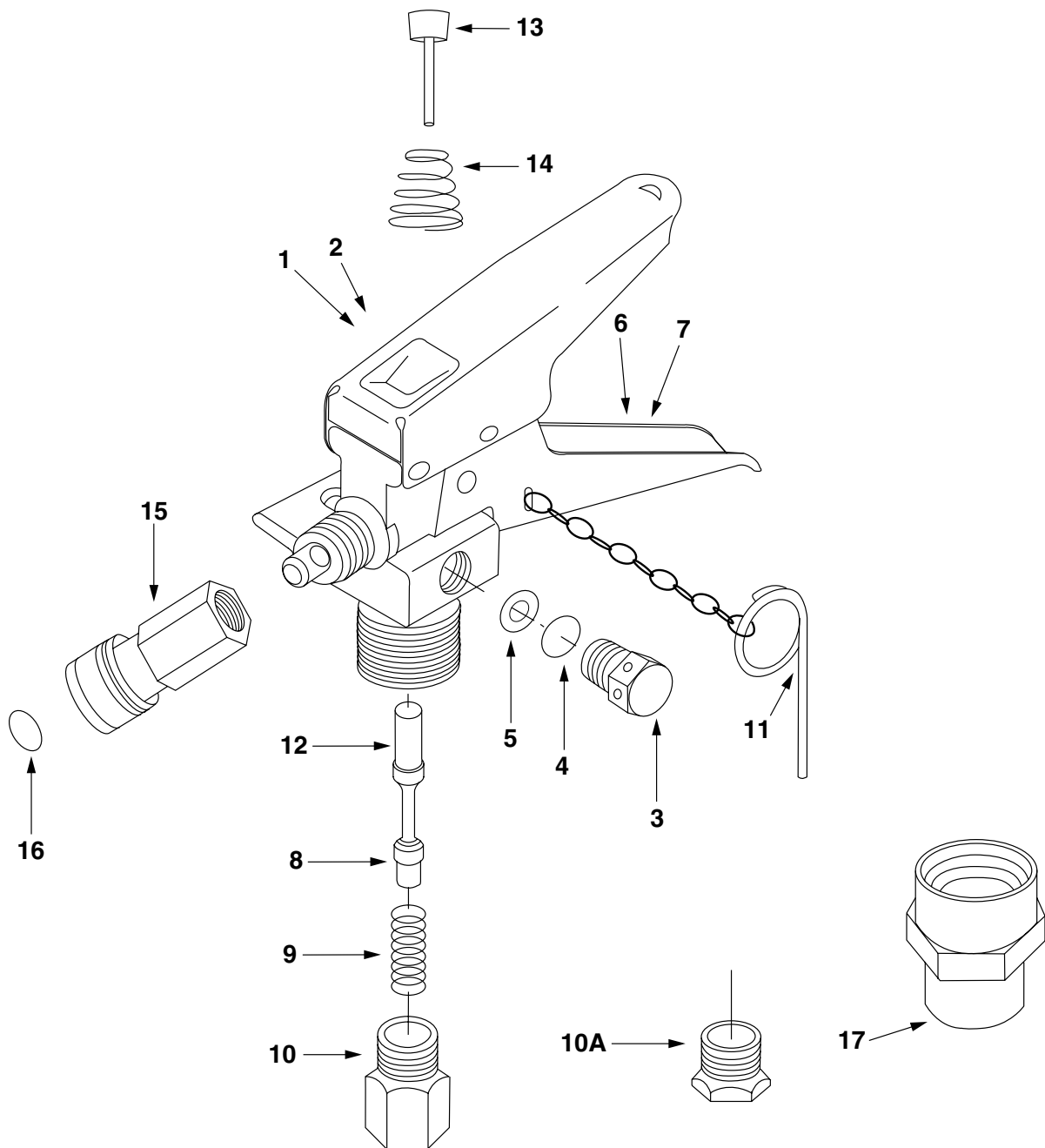
RPS-0119 10/01

IMPORTANT: RECEIVING INSTRUCTIONS Visually inspect all components for shipping damage. If you find damage, notify the carrier at once.

Shipping damage is NOT covered by warranty. The carrier is responsible for all repair or replacement costs resulting from damage in shipment.

Replacement Valves Complete

- 1225A used with 1105A Operating Assembly
- Used on all GB/Jetline® 5# cylinders with 3/4" NPT neck



Replacement Parts

Item	Part #	Description	Item	Part #	Description
1	1120A	Top Handle	10	1229	Retaining Nut
2	937054	Rivet, Top Handle	10A	1229A	Retaining Nut, Cut-off
3	1235	Safety Nut	11	935266A	Pull Pin and Chain
4	1237	Safety Disc	12	35619A	Valve Stem O-ring
5	1238	Safety Ring	13	1118	Flow Control Knob
6	36139A	Carry Handle	14	1119	Flow Control Knob Conical Spring
7	36289A	Rivet, Carry Handle	15	1138	1/4" Quick Coupling
8	1227A	Valve Stem with O-Ring	16	1143	1/4" Quick Coupling O-ring
9	1226A	Valve Stem Spring	17	1175A	Reducer Bushing

Replacement valves for 950 & 1208 cylinders use 1105A hose and valve assembly.

REPAIR AND SERVICE INSTRUCTIONS: For repair service and parts contact your nearest Gardner Bender Service Center. The Gardner Bender Service Center will provide complete and prompt service on all Gardner Bender products.

<p>PARTS AND SERVICE: For quality workmanship and genuine Gardner Bender parts, select an Authorized GB Service Center for your repair needs. Only repairs performed by an Authorized Service Center displaying the official GB Authorized sign are backed with full factory warranty. Contact Gardner Bender (414)352-4160 for the name of the nearest GB Authorized Service Center.</p>	<p>WARRANTY: Gardner Bender warrants its product against defects in workmanship and materials for 1 year from date of delivery to user. Chain is not warranted. Warranty does not cover ordinary wear and tear, abuse, misuse, overloading, altered products or use of improper fluid.</p>	<p>WARRANTY RETURN PROCEDURE: When question of warranty claim arises the user should send his unit to the nearest Gardner Bender Authorized Service Center for inspection, transportation to be prepaid and evidence of purchase date furnished. If the claim comes under the terms of our warranty the Authorized Service Center will REPAIR OR REPLACE PARTS AFFECTED and return prepaid.</p>
--	---	--

