

For date codes beginning with "C"

Torque item 18 to 12-18 in-lbs. Apply Loctite 242 to threads.

Seal motor end cap to pump manifold at the rods and center boss using RTV sealant.

Attach item 24 to item 10.

Torque item 15 to 34-38 in-lbs. (39,2-43,7 cm/kg).

Torque item 121 to 16-19 ft-lbs. (22-26 Nm).

Torque item 195 to 6-10 ft-lbs. (8-13 Nm).

Torque item 5 to 47-53 in-lbs. (5,3-6,0 Nm).

Torque item 138 to 25-30 in-lbs. (28,8-34,5 cm/kg). Apply Loctite 242 to threads.

Apply Loctite 545 to threads of item 148.

Align tube to face gear mesh to allow for splash lubrication.

Set relief valve (item 150) to 250-400 psi (17,3-27,9 bar). Stake threads after setting relief valve.

Torque item 109 to 15-16 ft-lbs. (20-22 Nm).

Install item 117 flush to .010" (.25 mm) recessed from manifold surface.

Apply sealant to the top of the reservoir before applying the cork gasket. Do not use any sealant on the nitrile gasket.

Pendant Wiring:	
Jog	Terminal 1 - White Terminal 2 - Black

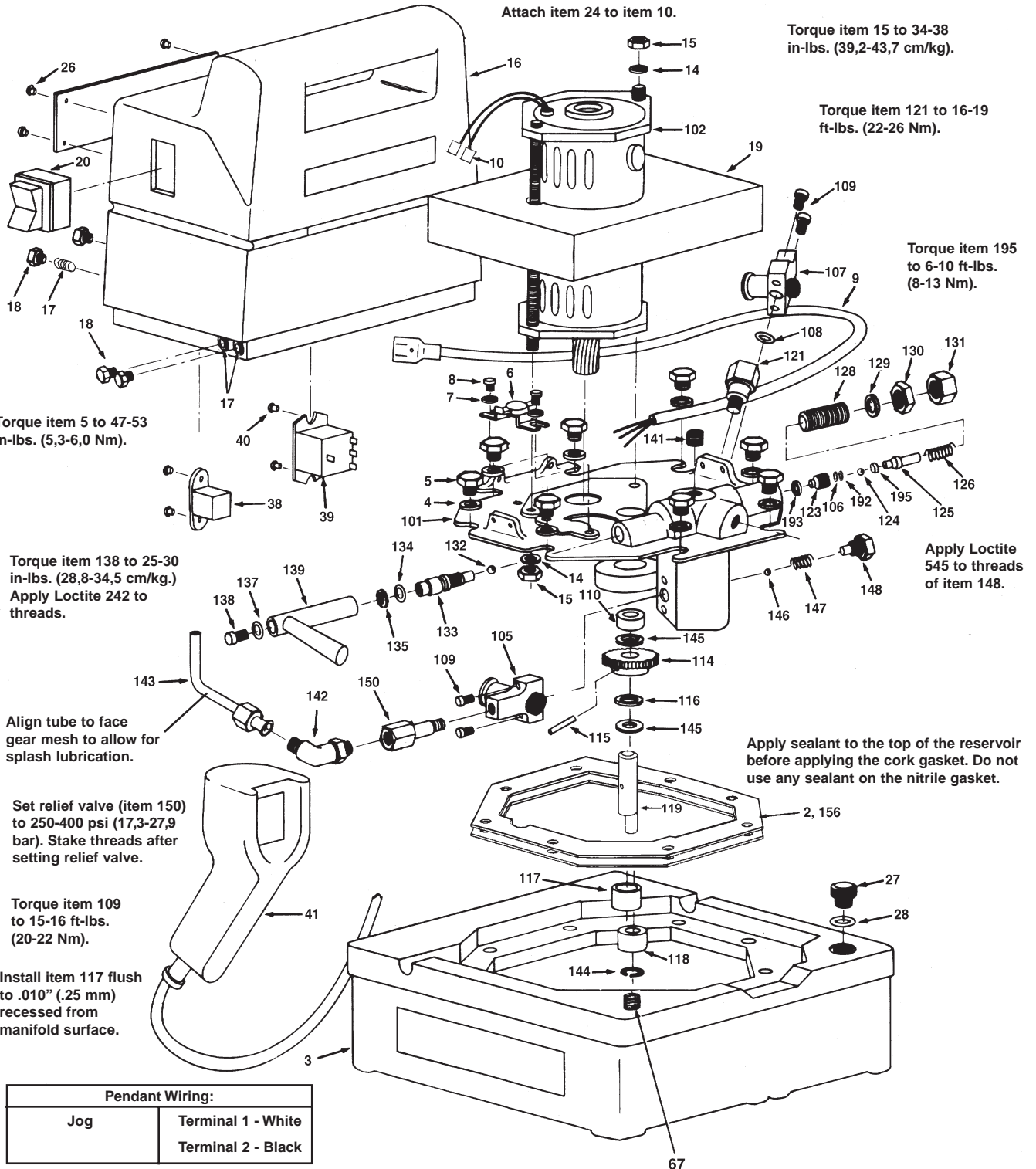


Figure 1: Exploded View

Table 1: Repair Parts for Figure 1

Item	Part Number	Qty.	Description	Item	Part Number	Qty.	Description
2	★DA12088167SR	1	Gasket (includes item 156)	101	DA12486840SR	1	Pump Manifold includes items 106, 121, 123, 148, 191, 193, 195
3	DA1910900SR	1	Reservoir Assembly	102	CW179259	1	Motor (For 110V)
4	DA6954167	8	Washer		DC370259	1	Motor (For 220V)
5	B2521028	8	Screw	105	CW298950SR	1	.53 Piston Block
6	E1100004	1	Thermostat	106	★B1007503	2	O-ring
7	C701222	2	Washer	107	CW299950SR	1	.24 Piston Block
8	F658028	2	Screw	108	★B1012803	1	O-ring
9	DA3709900SR	1	Power Cord (For 110V)	109	B1008028	4	Screw
	DA3728900SR	1	Power Cord (For 220V)	110	CW252107	1	Bearing
10	DA3776006	2	Pin	114	CW301228	1	Driven Gear
11	DA11539380	1	Receptacle	115	★B1097057	1	Spring Pin
14	DA15066	3	Lockwasher	116	CW199107	1	Bearing
15	B1018121	3	Hex Nut	117	CW251107	1	Bearing
16	CONTACT GB ELECTRICAL		Shroud Assembly	118	CW302107	1	Bearing
17	CW261225	6	Eyelet	119	CW303104	1	Shaft
18	F866028	6	Screw	121	DA5999900SR	1	Relief Valve
19	CW259298	1	Baffle	123	DA12199290	1	Ball Seat Insert
20	E1500002	1	Switch	124	★B1004016	1	Ball (.156 inch)
21	DA3712900	1	Wire Assembly	125	DA12357013	1	Ball Guide
22	DA3730900SR	1	Wire Assembly	126	A109164	1	Spring
23	DA3711900SR	1	Wire Assembly	128	DA252028	1	Adjustment Screw
24	DA11540380	1	Receptacle	129	★S1167	2	Gasket
26	CU971003	4	Pop Rivet	130	CW306055	1	Lock Nut
27	DA608024	1	Vent Plug	131	CW307055	1	Cap Nut
28	★B1906503	1	O-ring	132	★B1009016	1	Ball (.312 inch)
38	E300006	1	Transformer (For 110V)	133	C790010SR	1	Stem
	E300007	1	Transformer (For 220V)	134	★B1111203	1	Viton O-ring
39	E1300008	1	Relay	135	★B1111564	1	Washer
40	CW350003	4	Pop Rivet	137	B1086066	1	Lockwasher
41	CR881900SR	1	Pendant Assembly	138	B1323028	1	Socket Head Screw
42	DA1973900SR	1	Wire Assembly	139	DA544070SR	1	Handle
43	DA3713900SR	1	Wire Assembly	141	A1016245	1	Plug
44	DA1975900SR	1	Wire Assembly	142	DA1011096	1	Elbow
45	DA1976900SR	1	Wire Assembly	143	DA261268	1	Tube
67	A1009245	1	Plug	144	CW467044	1	Retaining Ring
				145	★DA445107	2	Bearing

★ Included in and available only as part of Repair Kit PUJ1200BK1.

Table 1: Repair Parts for Figure 1 (continued)

Item	Part Number	Qty.	Description	Item	Part Number	Qty.	Description
146	★B1007016	1	Ball (.25 inch)	190	DC374900	1	Choke Assembly (For 220V)
147	★DA1564110	1	Spring	191	DC388900	1	Wire Assembly (For 220V)
148	DC433950	1	Plug Assembly	192	B1012565	1	Backup Washer
150	DA610900SR	1	Relief Valve	193	★DC19503	1	O-ring
156	★SEE ITEM 2	1	Gasket	195	DC866027	1	Lock Screw

★ Included in and available only as part of Repair Kit PUJ1200BK1.

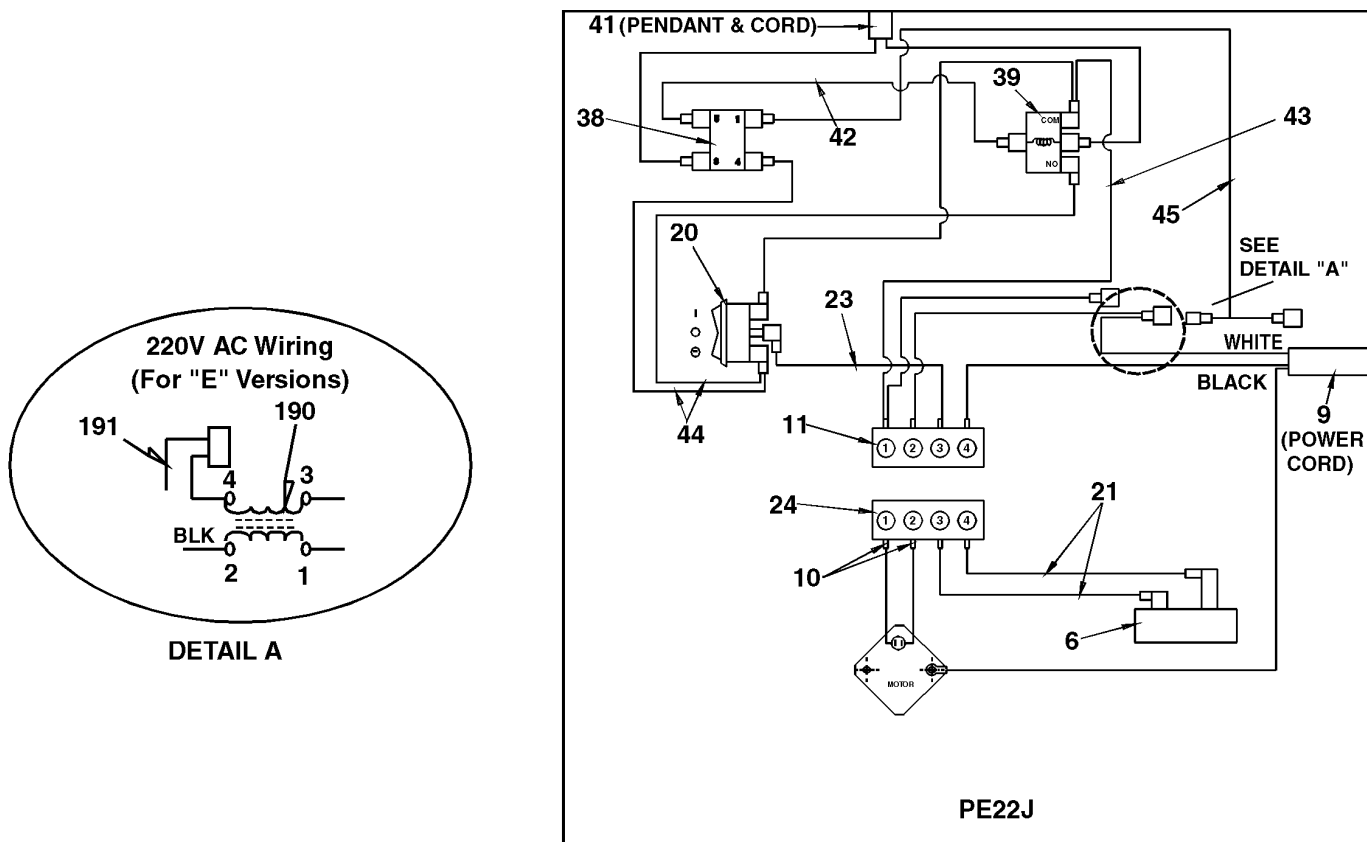


Figure 2: Wiring Diagrams

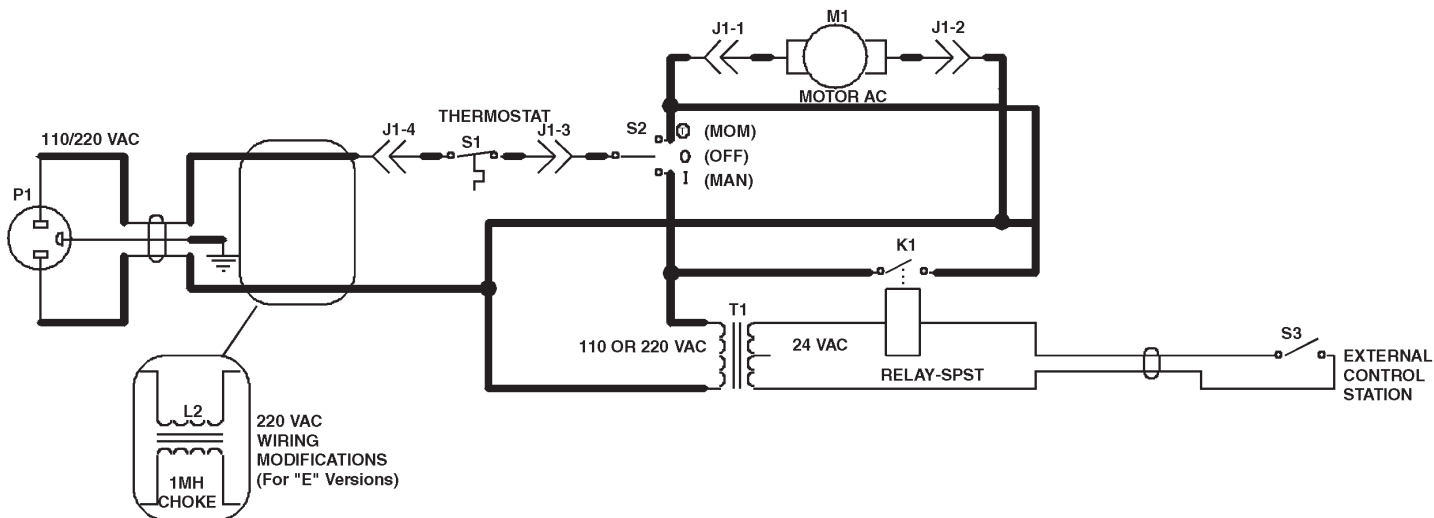


Figure 3: Electrical Schematic for PE22J

Motor Brush Kits:	
DA9655380	Brush Kit for 115V Motor
DA9656380	Brush Kit for 230V Motor
DA9657000	Brush Cap

REPAIR AND SERVICE INSTRUCTIONS: For repair service and parts contact your nearest GB ELECTRICAL Service Center. The GB ELECTRICAL Service Center will provide complete and prompt service on all GB ELECTRICAL products.

PARTS AND SERVICE: For quality workmanship and genuine GB ELECTRICAL parts, select an Authorized GB Service Center for your repair needs. Only repairs performed by an Authorized Service Center displaying the official GB Authorized sign are backed with full factory warranty. Contact GB Electrical (414)352-4160 for the name of the nearest GB Authorized Service Center.

WARRANTY: GB ELECTRICAL, INC. warrants its product against defects in workmanship and materials for 1 year from date of delivery to user. Chain is not warranted. Warranty does not cover ordinary wear and tear, abuse, misuse, overloading, altered products or use of improper fluid.

WARRANTY RETURN PROCEDURE: When question of warranty claim arises, send the unit to the nearest GB Authorized Service Center for inspection, transportation prepaid. Furnish evidence of purchase date. If the claim comes under the terms of our warranty the Authorized Service Center will REPAIR OR REPLACE PARTS AFFECTED and return the unit prepaid.



A unit of *apw* Tools and Supplies

GB Electrical, Inc. • 6101 N. Baker Road • Milwaukee, WI 53209 • 414-352-4160 • Fax 414-352-2377