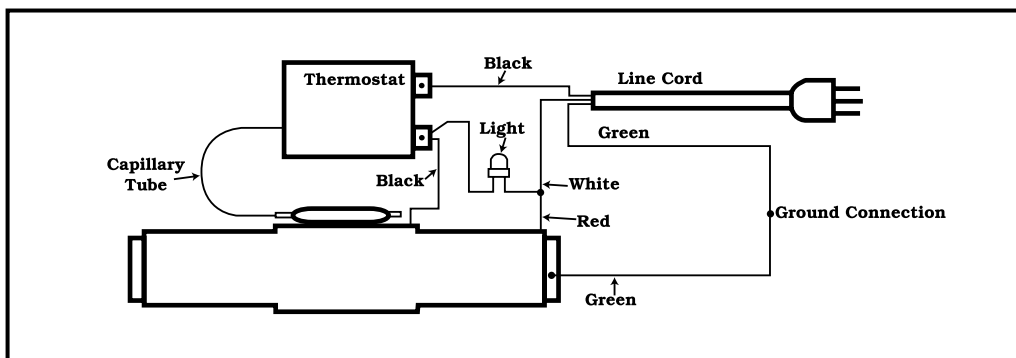


### The Schematic



# PARTS LIST / BHT-520A

Item No.	Model No.	Description	Number Required
1	BHT52K1	<b>End Cap Assembly</b> (Includes the following)	1
		End cap	1
		Mounting Screw #10-16 x 1.00	1
2	BHT52K2	<b>Power Cord Assembly</b> (Includes the following)	1
		Power cord	1
		Ring connector	1
		Closed-end connector	1
3	BHT52K3	<b>Label/Decal Set</b> (Includes the following)	1
		Instruction decal	1
		"Caution Hot" label	1
4	BHT-5228	<b>Rain Shield Assembly</b> (Includes the following)	1
		Mounting screws	4
5	BHT-5225	<b>Handle Assembly</b> (Includes the following)	1
		Mounting screws	2
		Hex nut	2
6	BHT-5237	<b>Cover, Thermostat</b> (Includes the following)	1
		Mounting screws, cover	2
		Gasket, cover	1
7	BHT-5214	<b>Enclosure, Thermostat</b>	1
8	BHT-5239	<b>Thermostat &amp; Bulb Assembly</b>	1
9	BHT-5234	<b>Plate, Thermostat</b> (Includes the following)	1
		Mounting screws, Plate to thermostat	2
		Mounting screws, Plate to enclosure	2
10	BHT5235	<b>Knob, Thermostat</b>	1
11	BHT-5231	<b>Light, Neon</b>	1

**REPAIR AND SERVICE INSTRUCTIONS:** For repair service and parts contact your nearest Gardner Bender Service Center. The GB Service Center will provide complete and prompt service on all Gardner Bender products.

<p><b>PARTS AND SERVICE:</b> For quality workmanship and genuine Gardner Bender parts, select an Authorized Gardner Bender Service Center for your repair needs. Only repairs performed by an Authorized Service Center displaying the official Gardner Bender Authorized sign are backed with full factory warranty. Contact Gardner Bender (414)352-4160 for the name of the nearest GB Authorized Service Center.</p>	<p><b>WARRANTY:</b> Gardner Bender warrants its product against defects in workmanship and materials for 1 year from date of delivery to user. Chain is not warranted. Warranty does not cover ordinary wear and tear, abuse, misuse, overloading, altered products or use of improper fluid.</p>	<p><b>WARRANTY RETURN PROCEDURE:</b> When question of warranty claim arises, send the unit to the nearest Gardner Bender Authorized Service Center for inspection, transportation prepaid. Furnish evidence of purchase date. If the claim comes under the terms of our warranty the Authorized Service Center will REPAIR OR REPLACE PARTS AFFECTED and return the unit prepaid.</p>
--	---	---



A unit of **apw** Tools and Supplies

P. O. Box 3241, Milwaukee, WI 53201-3241 • Phone: (414) 352-4160 • FAX (414) 352-2377

ZRPS-0100 8/99